

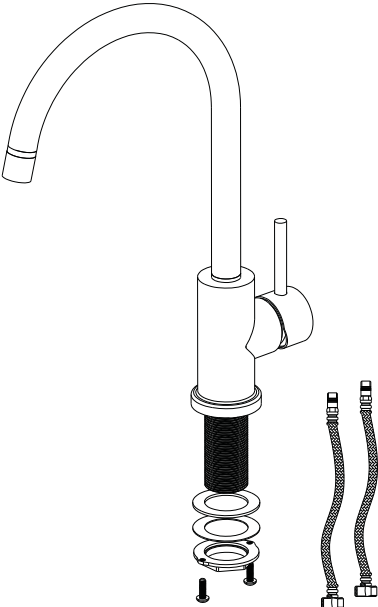
# Installation Instruction

## Single Handle Kitchen Faucet



### Before Your Installation

Check to make sure you have the following parts indicated below:



### Tools You Will Need



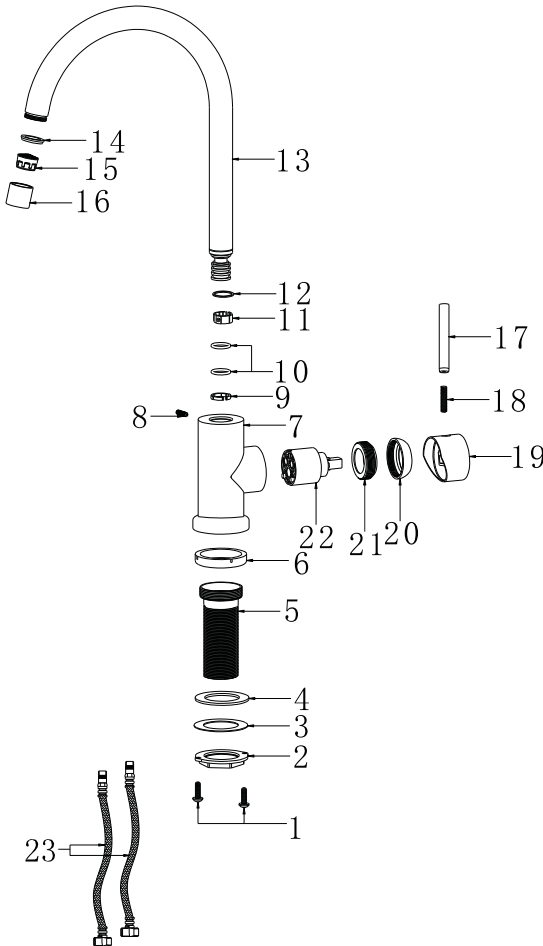
Adjustable wrench



Phillips screwdriver

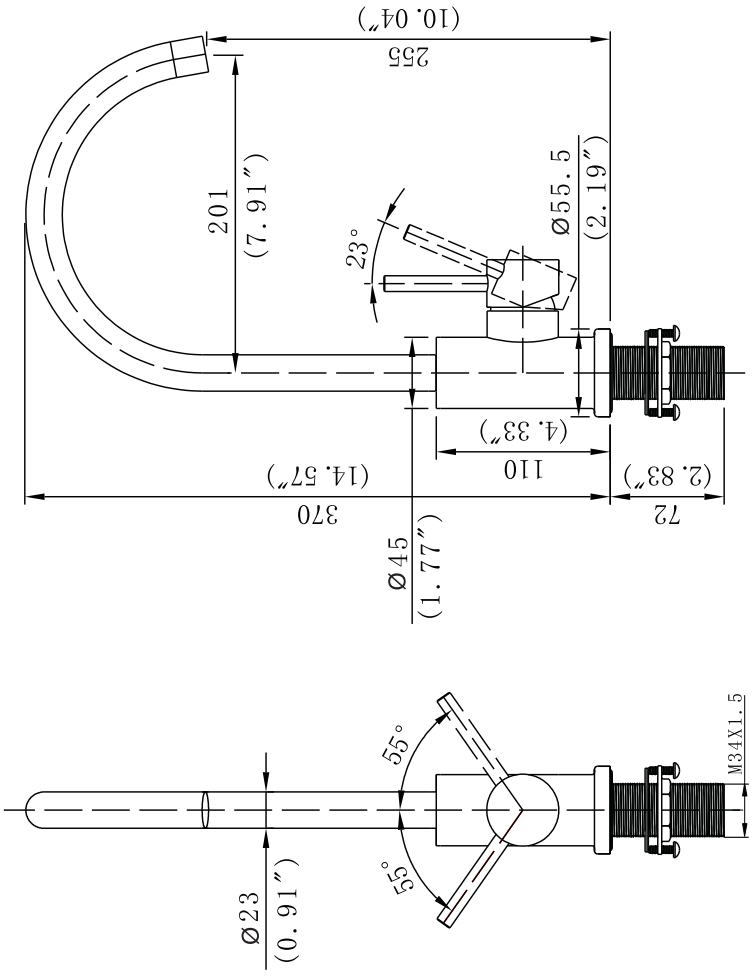
# Replacement Parts

Keep this manual for ordering replacement parts.

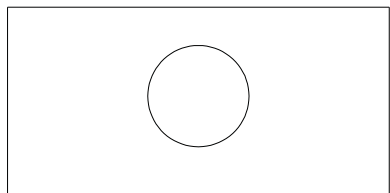
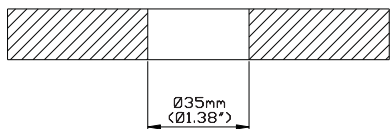


NO	NAME
1.	M5 round head screws
2.	Lock nut
3.	Stainless steel gasket
4.	Rubber gasket
5.	Threaded pipe
6.	Bottom gasket
7.	Faucet body
8.	M6 screw
9.	Plastic lock ring
10.	O-ring
11.	Plastic lock ring
12.	Rub ring
13.	Curved arm
14.	Gasket
15.	Aerator
16.	Aerator holder
17.	Handle bar
18.	M6 screw
19.	Handle knob
20.	Cartridge cover
21.	Locking nut
22.	Cartridge
23.	Hose

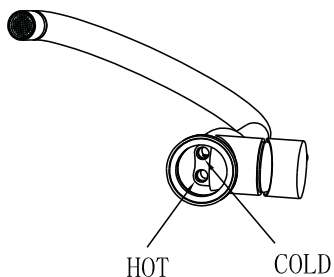
# Product Dimension Drawing



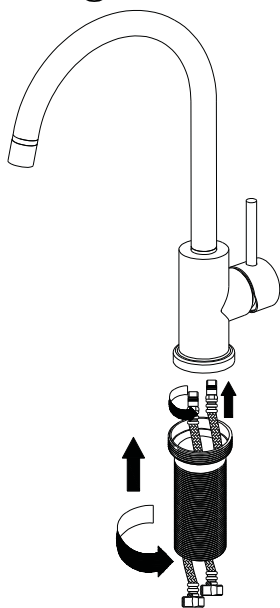
# Faucet Installation Procedures



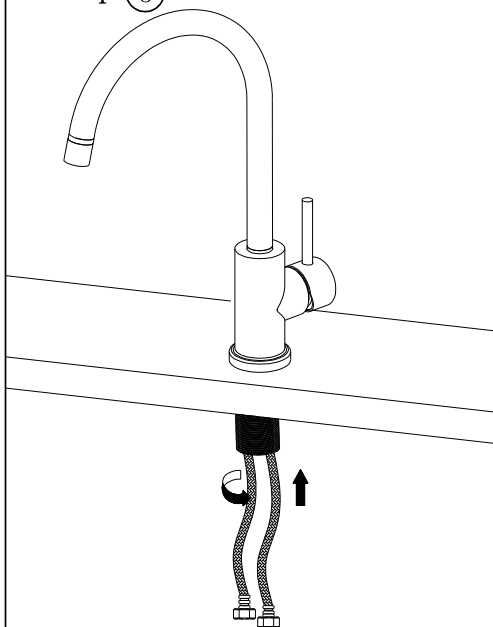
step ①



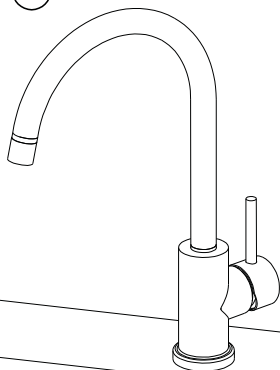
step ②



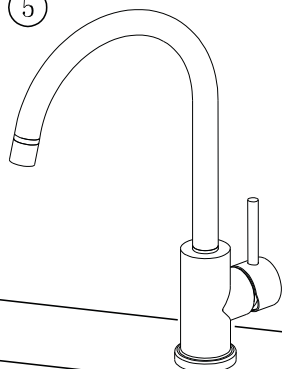
step ③



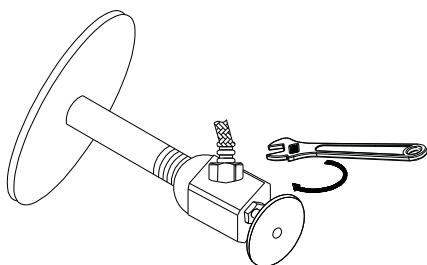
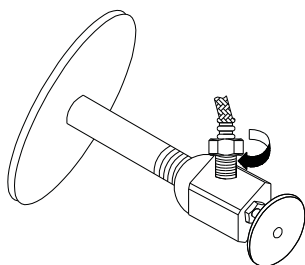
step ④



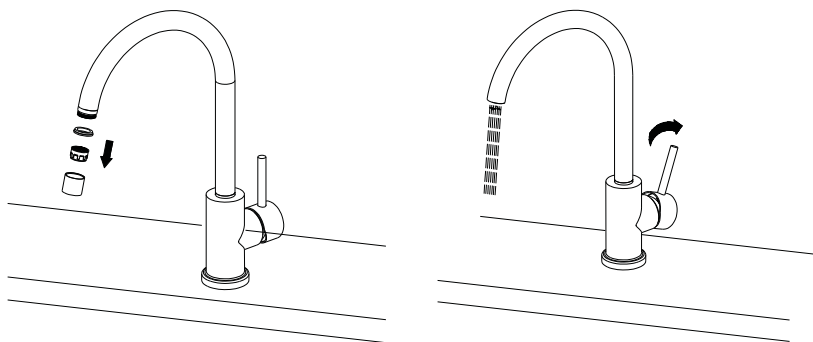
step ⑤



step ⑥



step ⑦



**Notice:**

Please removing all of the sand, silt and other things from the water hose before assembling, to avoid blocking the faucet and effecting water rate. Please use the special tools to disassemble it and wash with pneumatic equipment, if the faucet blocked.

step ⑧

