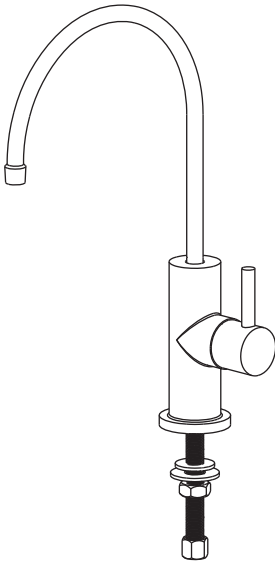


# Installation Instruction

## Filtration Faucet

### Before Your Installation

Check to make sure you have the following parts indicated below:



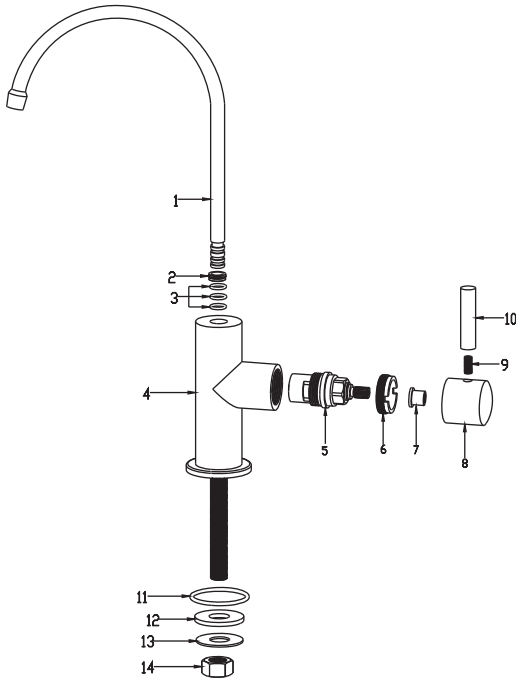
### Tools You Will Need



Adjustable wrench

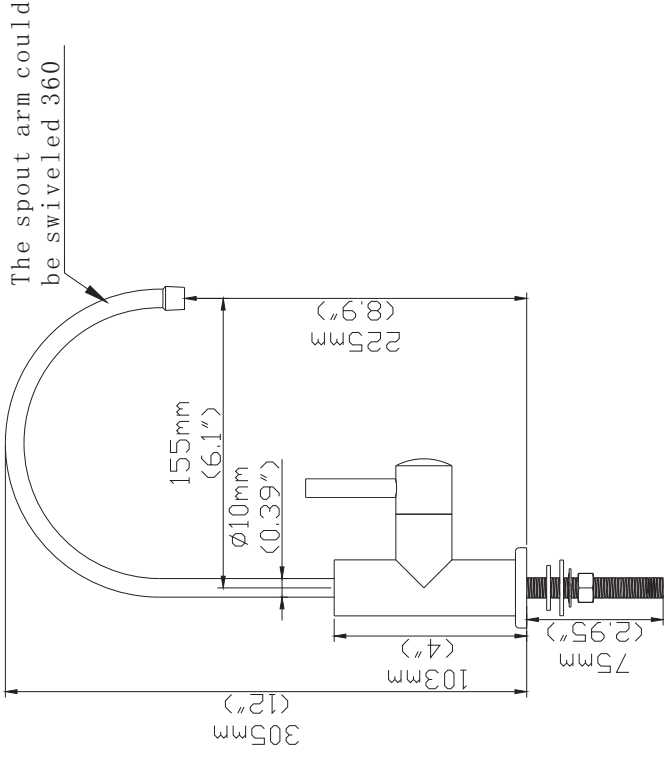
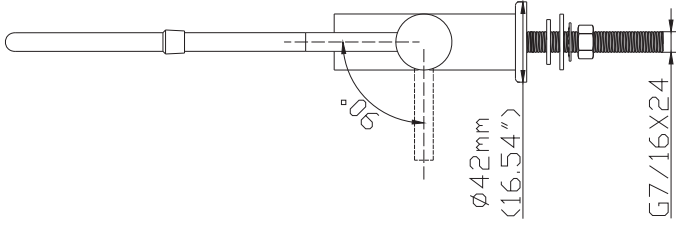
# Replacement Parts

Keep this manual for ordering replacement parts.

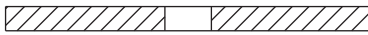
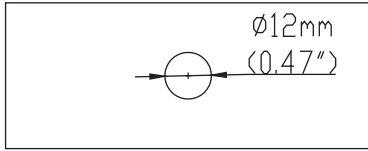


NO	NAME
1.	Spout
2.	Lock ring
3.	O-ring
4.	Body
5.	Cartridge
6.	Cartridge cover
7.	Locking sleeve
8.	Handle
9.	Pin
10.	O-ring
11.	Plastic washer
12.	Hexagon nut
13.	S/S washer
14.	Screw

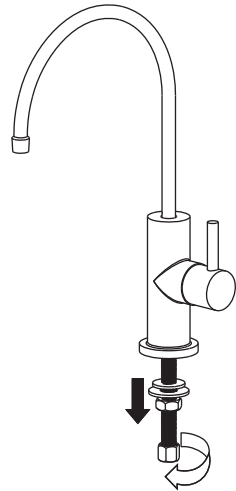
# Product Dimension Drawing



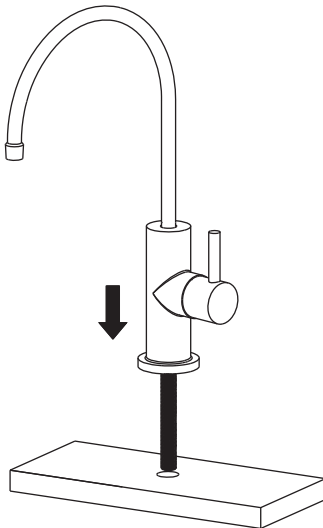
# Faucet Installation Procedures



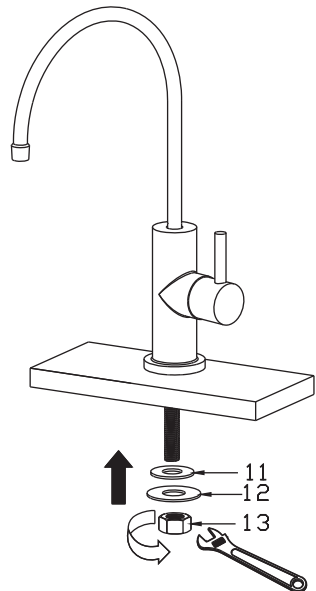
Step ①



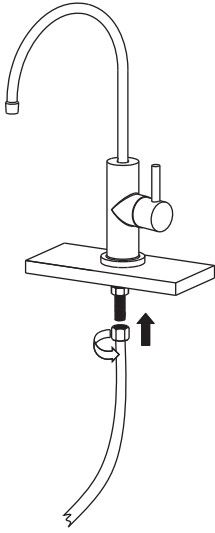
Step ②



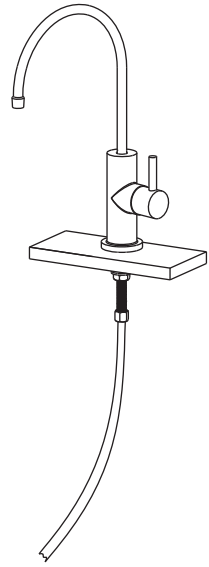
Step ③



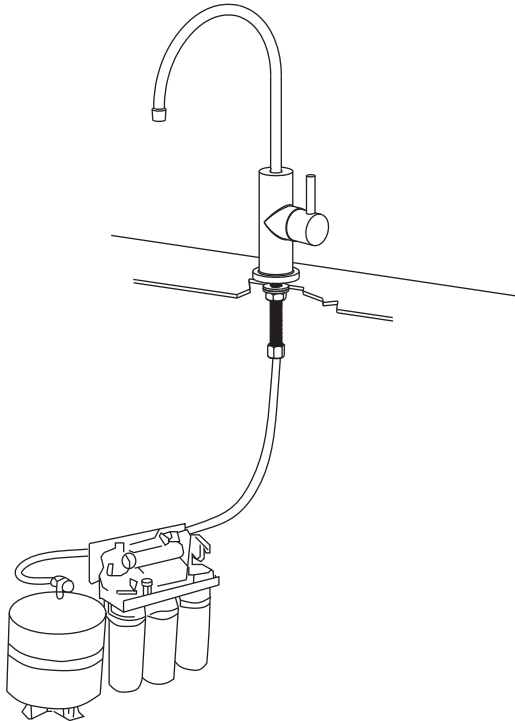
Step ④



Step ⑤



Step ⑥



Step ⑦

